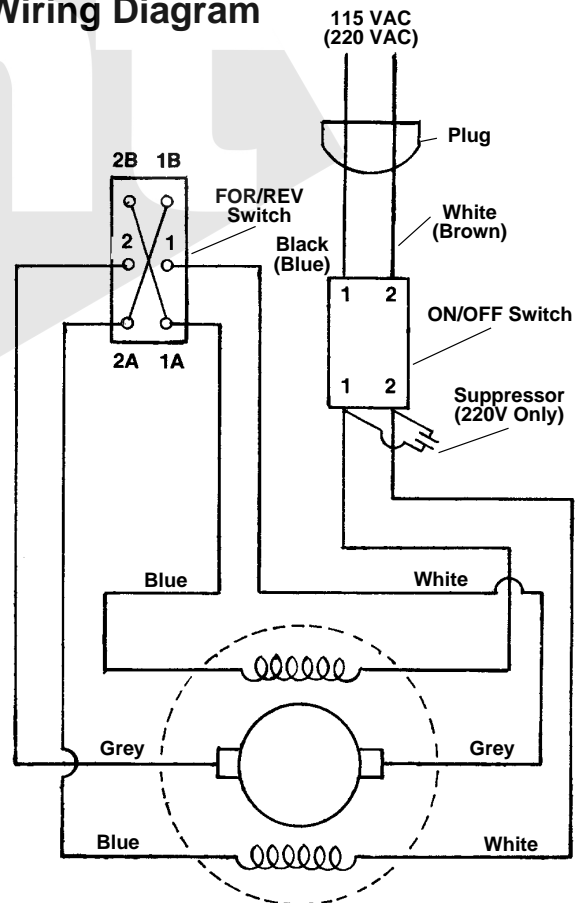
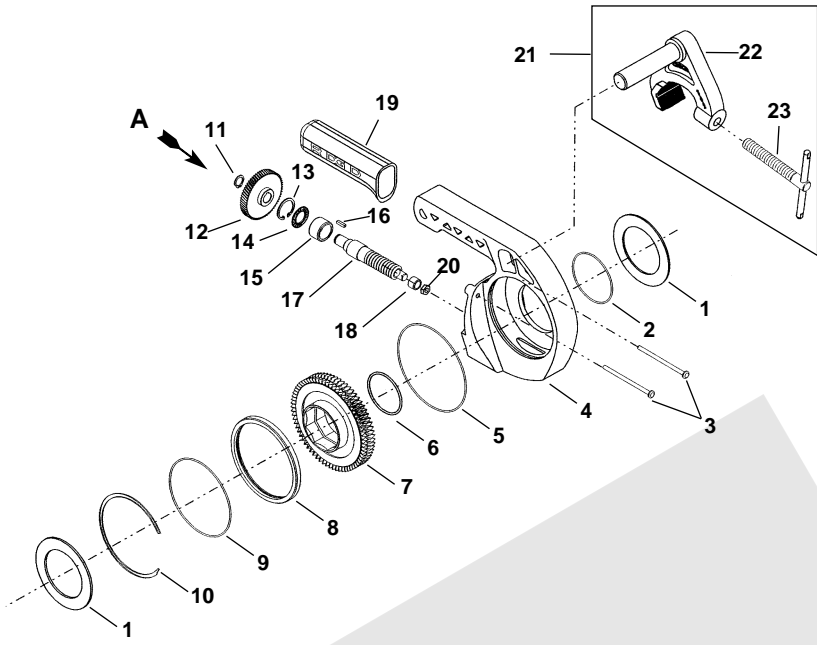


**NOTE: Order parts by Catalog Number only.
DO NOT order by Reference Number.**

Ref. No.	Catalog No.	Description
1	20746	Cord w/Plug (115V)
	20276	Cord w/Plug (230V - Europe)
2	20286	Sleeve
3	20326	Suppressor
4	20266	ON/OFF Switch
5	20586	Screw (4)
6	20576	Screw (3)
7	20296	Cable Clamp
8	20566	Screw (2)
9	20526	Handle
10	21796	Switch (115V)
	20516	Switch (230V)
11	20546	Screw (2)
12	20496	Cap (2)
13	20556	Screw (2)
14	20406	Screw (2)
15	20396	P.V.C. Wire (2)
16	20356	Brush Holder (2)
17	20316	Coil Spring (2)
18	20306	Set of 2 Brushes
19	34382	Name Plate
20	20236	Motor Housing
21	20506	Spacer
22	20386	Lead Wire Plate
23	21716	Field (115V)
	20246	Field (230V)
24	20486	Pressure Spring (2)
25	20476	Fan Housing
26	20336	Bearing
27	21736	Armature (115V)
	20256	Armature (230V)
28	47477	Bearing
29	20466	Spring Ring
30	20456	Spacer
31	20446	Washer
32	34387	Screw (2)
33	34392	Fan Housing
34	34397	Screw (2)
35	34517	Brass Washer (2)
36	34512	Gasket

Wiring Diagram





NOTE: Order parts by Catalog Number only. DO NOT order by Reference Number.

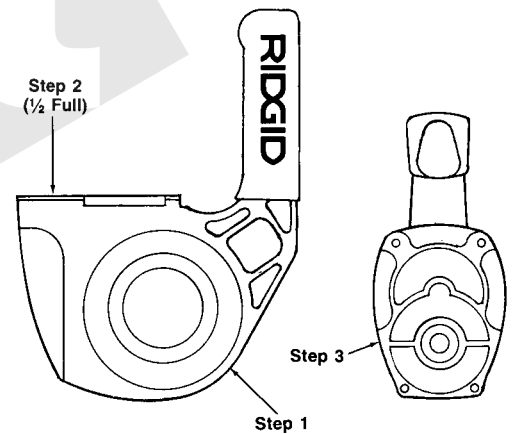
Ref. No.	Catalog No.	Description
1	34402	Cap (2)
2	34437	O-Ring, 2 1/2" x 2 5/8" x 1/16" Buna N
3	34412	Screw (2)
4	34417	Gear Housing
5	34422	O-Ring, 4 1/2" x 4 5/8" x 1/16" Buna N
6	38830	Spring Ring
7	34427	Worm Gear
8	34432	Ring Bearing
9	34407	O-Ring, 4" x 4 1/8" x 1/16" Buna N
10	34442	Spiral Ring
11	34447	Retaining Ring
12	34452	Helical Gear
13	34457	Retaining Ring
14	34462	Thrust Bearing
15	34467	Needle Bearing
16	34472	Key
17	34477	Worm
18	34482	Needle Bearing
19	34487	Hand Grip
20	77710	Hex Nut
21	34497	Support Arm Assembly
22	34502	Arm
23	34507	Screw Assembly
	34522	Worm Gear Lubricant (2 oz.)
	20826	Carrying Case w/Insert
	34527	Insert (only)

Service Notes

Gear Head Assembly

Proper Oil Fill Procedure: Capacity 2 ozs.

- Step 1: Wipe Gear Cavity with oil and assemble Gear Head.
- Step 2: Fill Worm Cavity 1/2 full of oil - install Worm.
- Step 3: Pour remaining oil in Helical Gear Cavity - install Helical Gear.
- Step 4: Install new Gasket and attach motor Assembly with Gear Head upright.

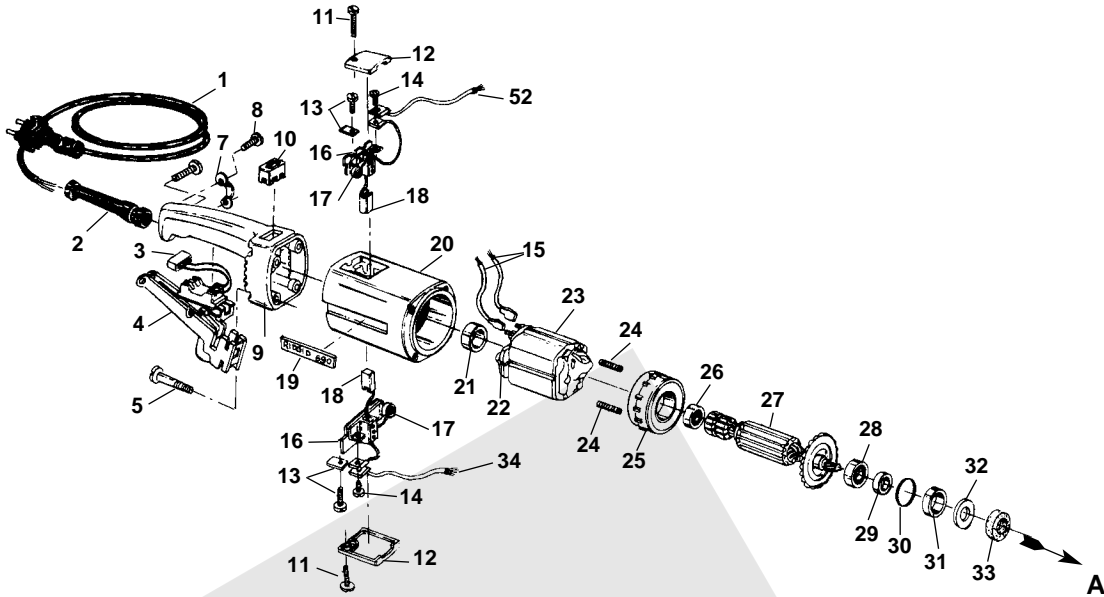


Ref. No. 18

Hex Nut has been inserted behind Needle Bearing (Ref. No. 18) in the Gear Housing Assembly (Ref. No. 4). To replace Needle Bearing, thread 6 mm or 1/4" - 20 rod into nut and pull Bearing.

Ref. No. 8

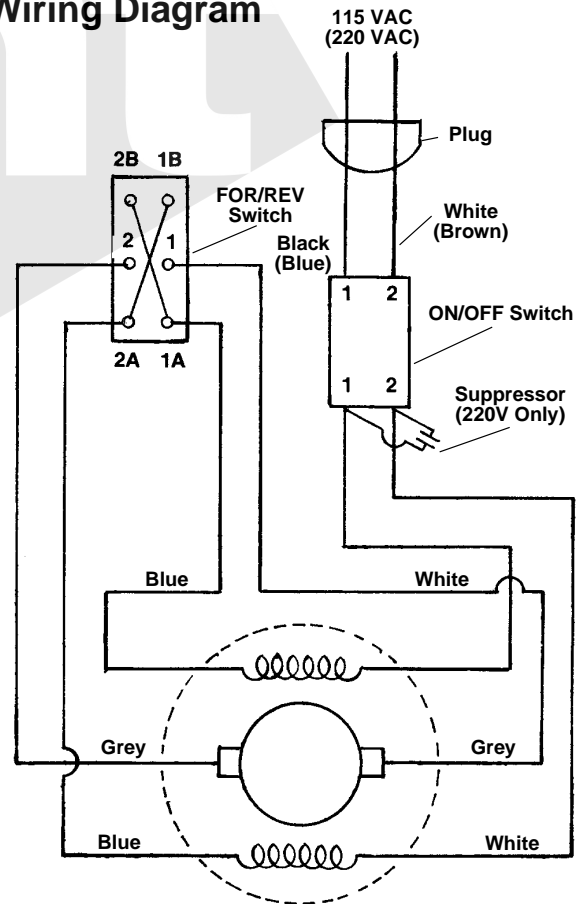
Chamfered edge of Ring Bearing must be installed (down) into Worm Gear.

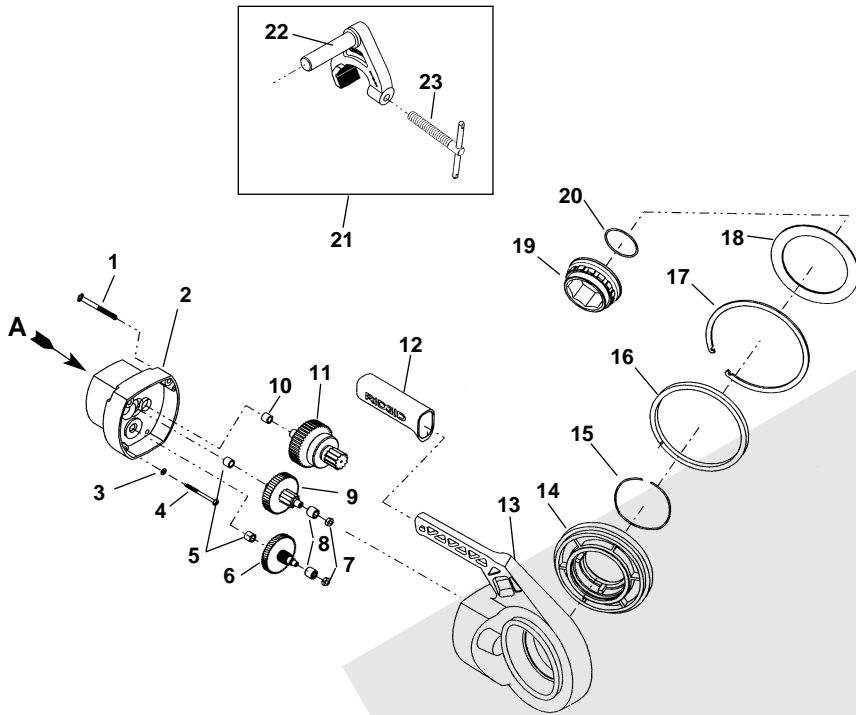


**NOTE: Order parts by Catalog Number only.
DO NOT order by Reference Number.**

Ref. No.	Catalog No.	Description
1	20746	Cord w/Plug (115V)
	20276	Cord w/Plug (230V - Eur)
2	20256	Sleeve
3	20326	Suppressor
4	20266	ON/OFF Switch
5	20586	Screw (4)
6	20576	Screw (3)
7	20296	Cable Clamp
8	20566	Screw (2)
9	20526	Handle
10	21796	Switch (115V)
	20516	Switch (230V)
11	20546	Screw (2)
12	20496	Cap (2)
13	20556	Screw (2)
14	20406	Screw (2)
15	20396	P.V.C. Wire (2)
16	20356	Brush Holder (2)
17	20316	Coil Spring (2)
18	20306	Set of 2 Brushes
19	43307	Name Plate
20	20236	Motor Housing
21	20506	Spacer
22	20386	Lead Wire Plate
23	21716	Field (115V)
	20246	Field (230V)
24	20486	Pressure Spring (2)
25	20476	Fan Housing
26	20336	Bearing
27	21736	Armature (115V)
	20256	Armature (230V)
28	20346	Bearing
29	20426	Spacer
30	20466	Spring Ring
31	20456	Spacer
32	20446	Washer
33	20436	Felt Seal
34	43316	Gray Brush Lead (2)

Wiring Diagram



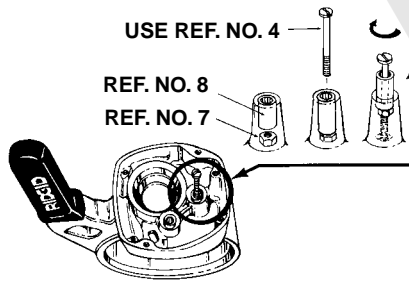


NOTE: Order parts by Catalog Number only. DO NOT order by Reference Number.

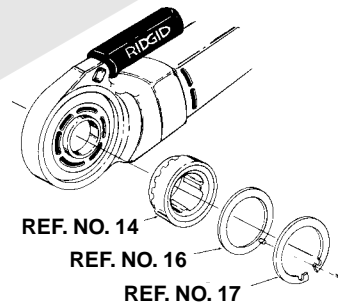
Ref. No.	Catalog No.	Description
1	43227	1/4" - 20 x 2 1/2" Screw (4)
2	43232	Fan Housing
3	34517	Brass Washer (4)
4	34397	4.8 x 65mm Screw (4)
5	43247	Needle Bearing (2)
6	43237	1st Intermediate Gear
7	77710	1/4" - 20 Hex Nut
8	43242	Needle Bearing (2)
9	43252	2nd Intermediate Gear
10	43257	Needle Bearing
11	43262	Main Drive Pinion
12	34487	Hand Grip
13	43267	Gear Housing
14	43272	Face Gear w/Cap
15	39172	Spring Ring
16	43277	Ring Bearing w/Pin
17	43282	Retaining Ring
18	43287	Cap
19	39187	Ratchet Ring Adapter
20	38830	Ratchet Ring Spring
21	43292	Support Arm Assembly
22	43297	Arm
23	43302	Screw Assembly

Service Notes

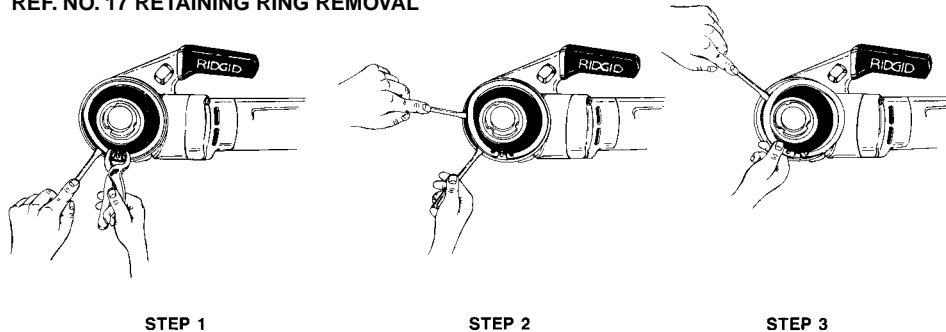
REF. NO. 8 BEARING REMOVAL

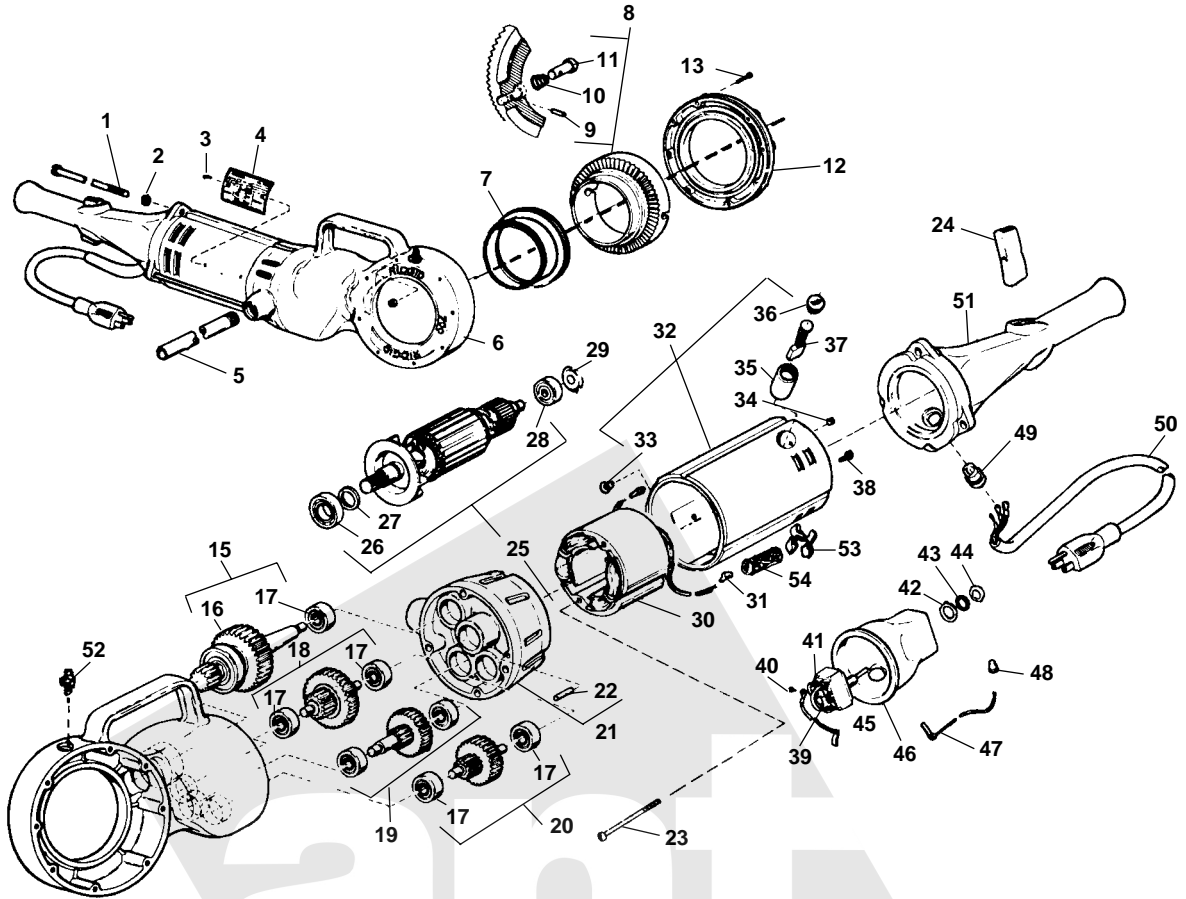


REF. NO. 16 RING BEARING (PIN) ORIENTATION



REF. NO. 17 RETAINING RING REMOVAL

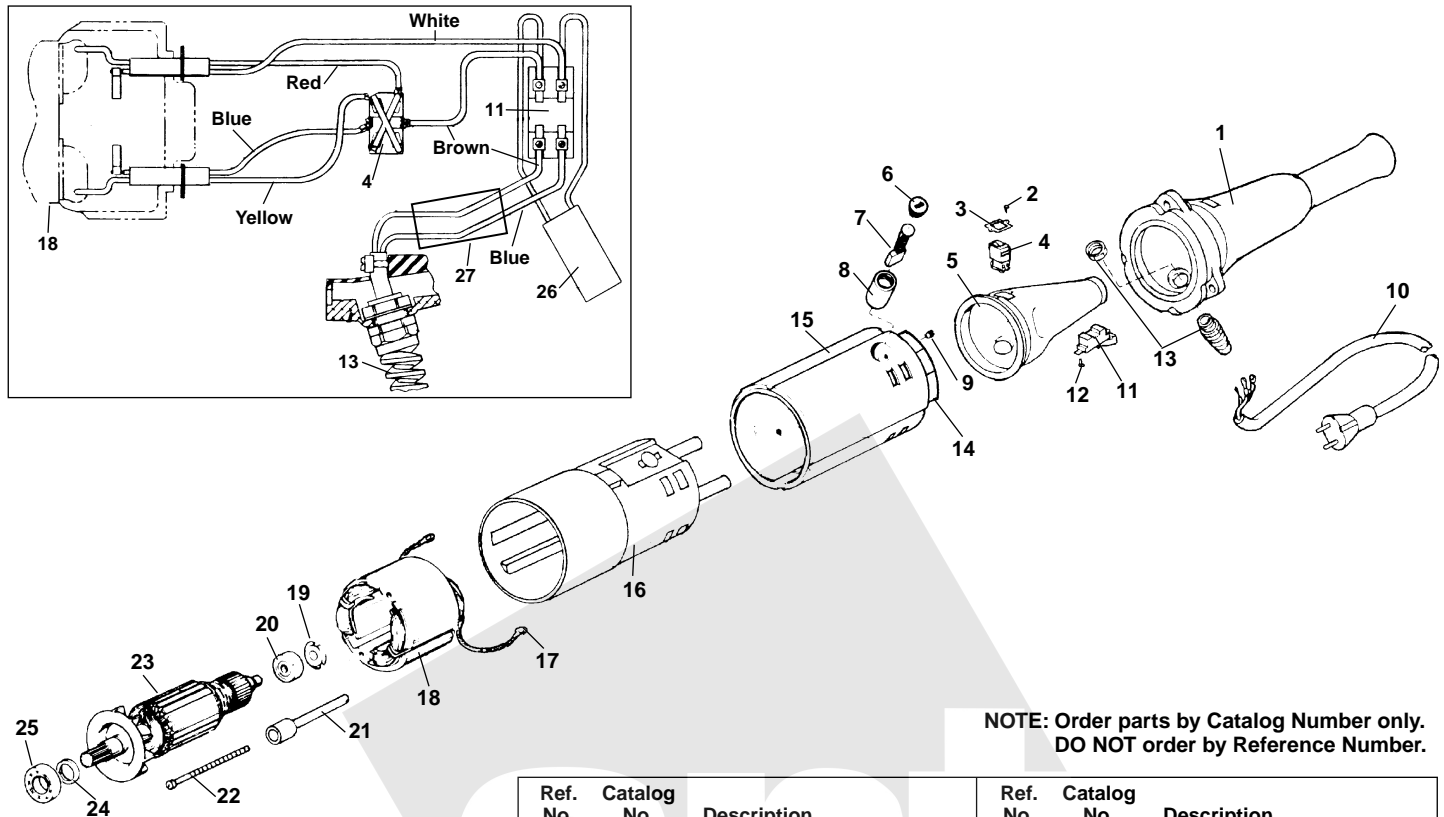




**NOTE: Order parts by Catalog Number only.
DO NOT order by Reference Number.**

Ref. No.	Catalog No.	Description	Ref. No.	Catalog No.	Description
1	44785	E-1893 Tie Bolt (4)	28	44760	E-1880 Bearing
2	40770	E-1719 Lock Washer (4)	29	44790	E-1894 Load Spring
3	85920	E-10006 Pop Rivet (2)	30	44070	D-755 Field (115V) (Incl. Ref. No. 31)
4		Name Plate (115V) Name Plate (230V)	31	28922	D-2364 Field (230V) (Incl. Ref. No. 31)
5	46615	E-833 Torque Arm	32	83895	E-1068 Ring Tongue Terminal (2)
6	42970	B-190-X Gear Case Assembly (Includes Ref. 7, 13, 14, 52)	33	42975	B-191-X Motor Housing Assembly
7	44060	D-751 Bearing	34	44765	E-1882 Lock Screw
8	43395	C-375-X Face Gear Assembly	35	39770	E-3145 Set Screw (2)
9	32475	E-6085 Spring Pin (2)	36	44795	E-1895 Brush Holder (2)
10	44915	E-1967 Spring (2)	37	45660	E-4404 Brush Cap (2)
11	44910	E-1966 Adapter Pawl (2)	38	44815	E-1900-X Brush Assembly (2)
12	43345	C-306 Cover	39	45420	E-3467 Ground Screw
13	46775	E-897 Screw (8)	40	44905	E-1964 Switch
14	83890	E-2870 Lock Nut (8)	41	46310	E-5367 Screw (5)
15	44900	E-1960-X 4th Gear Assembly	42	44890	E-1957 Jumper (2)
16	45315	E-3215 Bearing	43	75700	E-1953 Lock Ring
17	45060	E-2630 Bearing (7)	44	75695	E-1961 Lock Washer (Internal Tooth)
18	44830	E-1903-X 3rd Gear Assembly	45	46590	E-799 Lock Nut
19	44820	E-1901-X 1st Gear Assembly	46	44880	E-1954 Brush Lead (Blue)
20	44825	E-1902-X 2nd Gear Assembly	47	43390	C-370 Switch Insulator
21	43335	C-305-X Fan Housing Assembly	48	44885	E-1956 Brush Lead (White)
22	45165	E-2893 Dowel Pin	49	44635	E-1517 Wire Nut
23	44555	E-1495 Field Mtg. Screw (2)	50	46730	E-889 Cord Retainer
24	97260	E-10649 Switch Button	51	89155	D-1298 Service Cord (115V)
25	44055	D-750-X Armature & Fan Assy. (115V)	52	44045	D-747 Service Cord (230V)
26	44075	D-758-X Armature & Fan Assy. (230V)	53	97255	E-912 Handle
27	44565	E-1497 Bearing	54	46860	E-912 Grease Fitting
	44430	E-1340 Retaining Ring	55	41270	"X" Washer
				44755	Insulator Tube
				41620	Grease

No. 700 Power Drive-w/Dual Switch (Europe only)

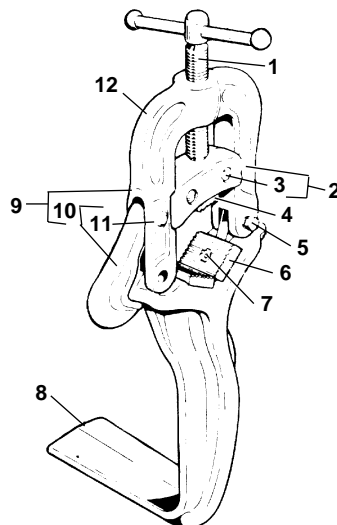


NOTE: Order parts by Catalog Number only. DO NOT order by Reference Number.

Service Note:
For service parts used in early style machines, refer to the model 700 with a single control switch.

Ref. No.	Catalog No.	Description	Ref. No.	Catalog No.	Description
1	32116	Handle	15	18676	Motor Housing
2	32176	Screw	16	18506	Sleeve f/Field
3	32166	Clip	17	12456	Terminal (2)
4	32126	Reversing Switch	18	18606	Field
5	32106	Switch Liner	18	32306	Field 48 Volts
6	30906	Brush Cap	19	44790	Load Spring
7	44815	Brush Assembly	20	44760	Bearing
8	30916	Brush Holder	21	18566	Sleeve f/Screw
9	39770	Set Screw (2)	22	18486	Field Mounting Screw (2)
10	18666	Line Cord (Eur. Di.)	23	18596	Armature and Fan Assembly (Eur. Di.)
11	32136	ON/OFF Switch	23	32316	Armature and Fan Assembly
12	32156	Screw	24	44430	Retaining Ring
13	66537	Strain Relief (48 Volt)	25	44565	Bearing
14	32096	Insulating Cap	26	18406	Suppressor
			27	63377	Ferrite Bead

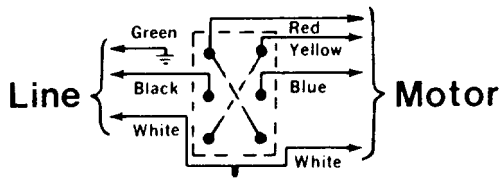
No. 775 Support Arm



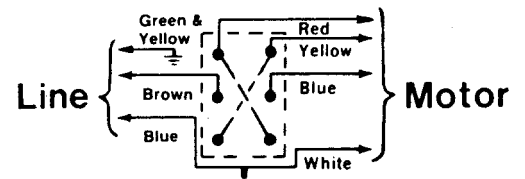
Ref. No.	Catalog No.	Description
1	40355	Feed Screw
2	40360	Jaw Clamp (Incl. Ref. No. 3)
3	40345	Screw and Washer (2)
4	40335	Upper Jaw
5	40325	Hinge Bolt, Washer and Nut
6	32100	Lower Jaws (1 set) (2 per set)
7	32205	Lower Jaw Screw (2)
8	42945	Base
9	40310	Yoke and Hook Assembly (Incl. Ref. No. 10)
10	40320	Hook (Incl. Ref. No. 11)
11	40340	Hinge Pin
12	40315	Yoke Assembly Complete (Incl. Ref. Nos. 1, 2, 4, 5 & 9)

Wiring Diagram (115/230V)

Standard Color Code



European Color Code



Wiring Schematic (230V) - with Line Filter

